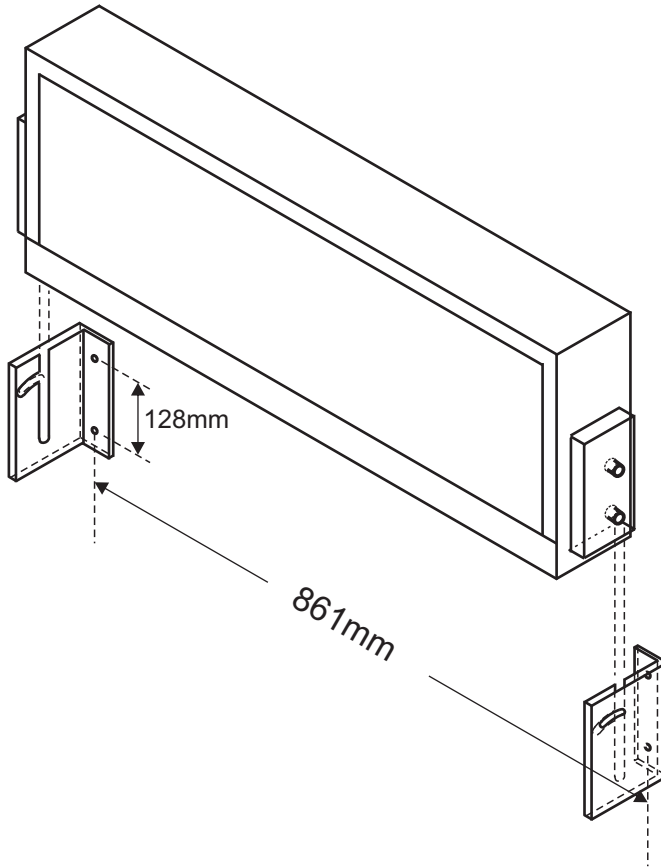
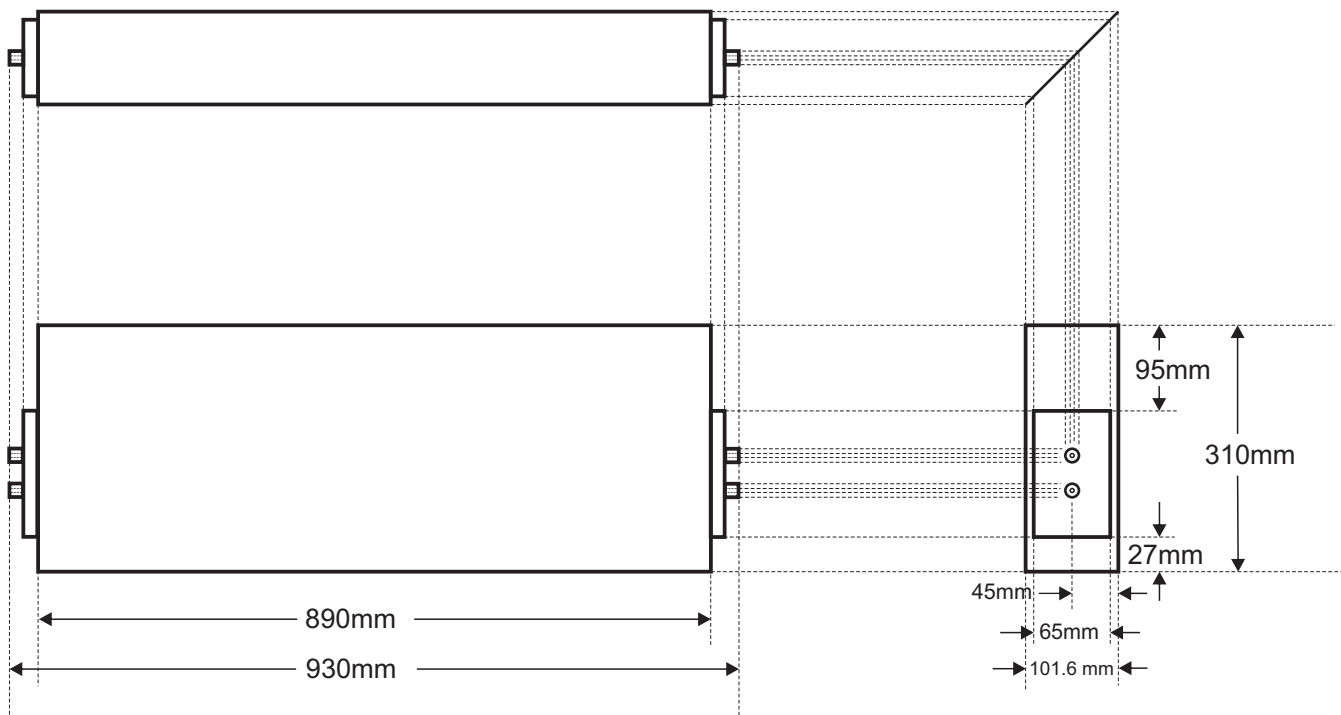


7-inch SyncRight GPS Clock MOUNTING BRACKET PLACEMENT and DIMENSIONS



SyncRight-7 SPECIFICATIONS	
Power Source	: 220 Volts AC
	: 10-meter Power Cord
Power Consumption	: 85 Watts
GPS Engine	: Simultaneously receives signals from eight (8) GPS Satellites
LED Brightness	: 30 to 40 Lumens
Viewing Angle	: 120 Degrees
Weight	: 12 Kilograms
GPS Antenna	: Outdoor Weatherproof Antenna 10-meter Antenna Cable
Casing	: Metal, Powder Coated (White)
Mounting	: Side Mounting Brackets, Back-to-Wall Standard Labor and Installation Materials NOT INCLUDED.
Option	: Longer cable for GPS Antenna, up to 100 meters Available only from StarComm

7-inch SyncRight GPS Clock CASING DIMENSIONS



Customer Care

STAR COMMUNICATIONS HOLDINGS CORP.

37 Samat St., Brgy. Sto. Domingo, Sta. Mesa Heights, Quezon City, M.M.
Tel:+63 (2) 416 0936 to 0938 Fax:+63 (2) 416 0935

<http://www.starcomm.com.ph>

sales@starcomm.com.ph